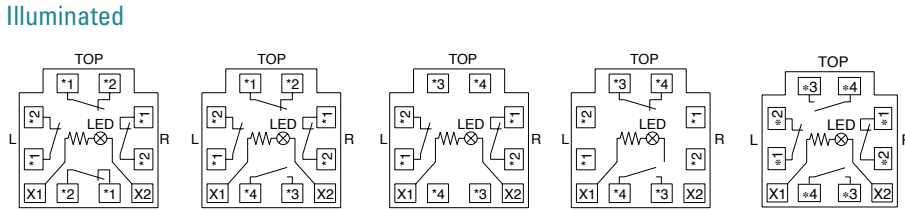
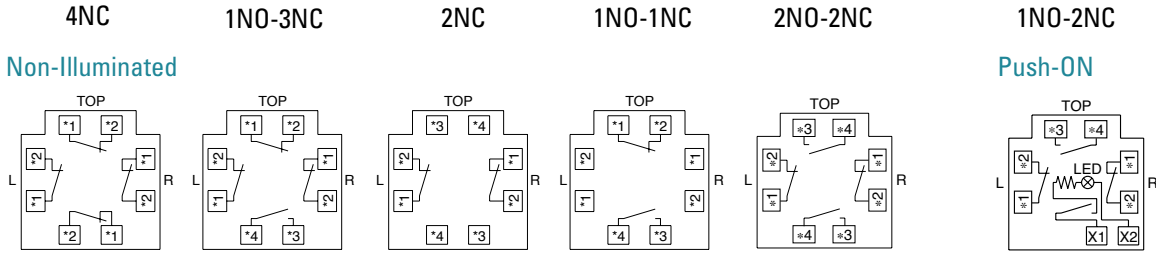
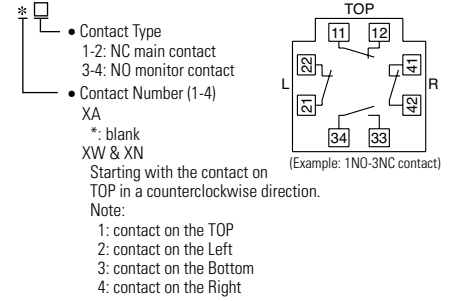


Terminal Arrangements (Bottom View)

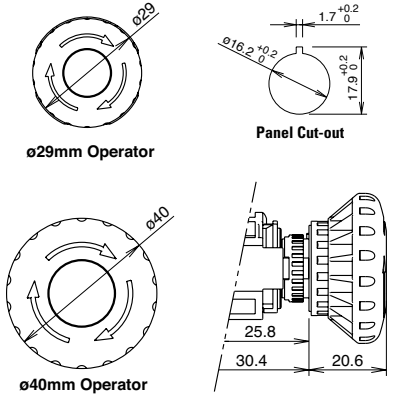


Terminal Marking Description

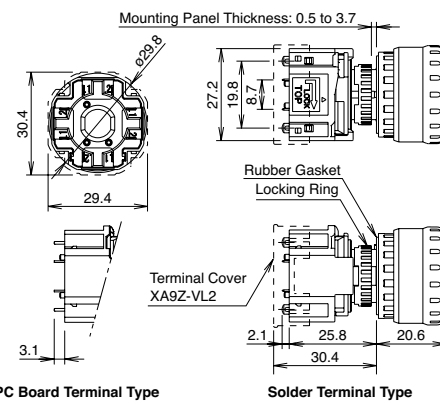


Dimensions (mm)

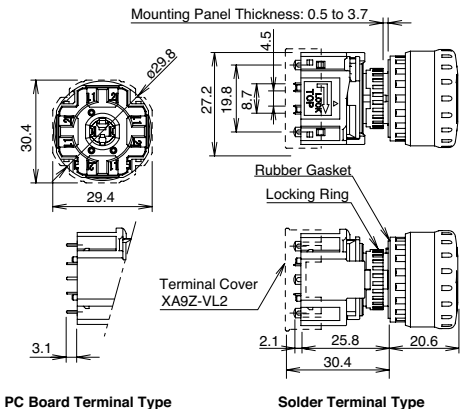
16mm XA



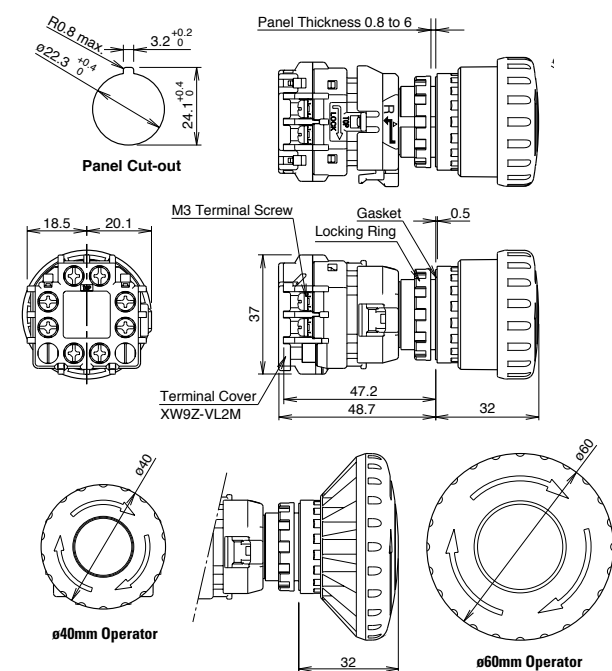
16mm XA Non-Illuminated



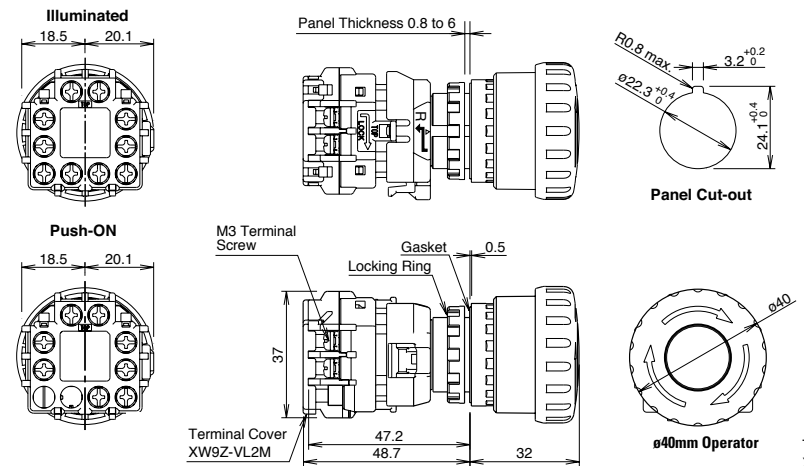
16mm XA Illuminated



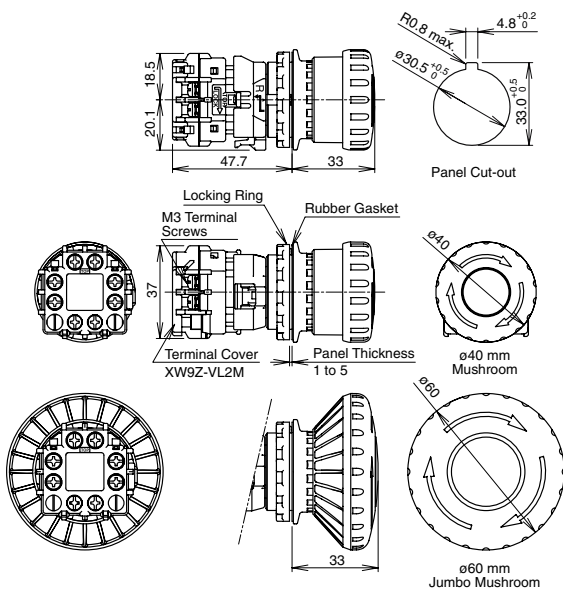
22mm XW Non-Illuminated (with terminal cover)



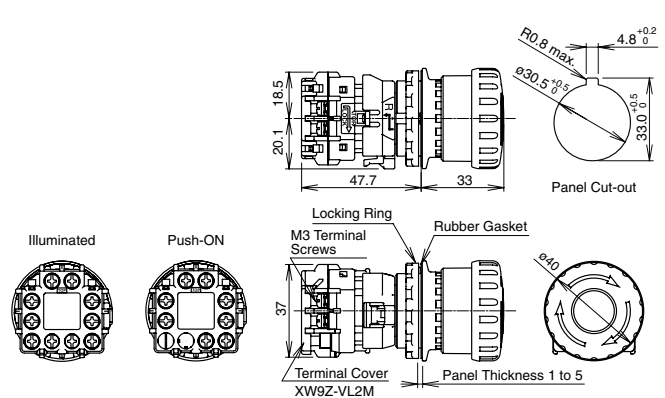
22mm XW LED Illuminated/Push-ON (with terminal cover)



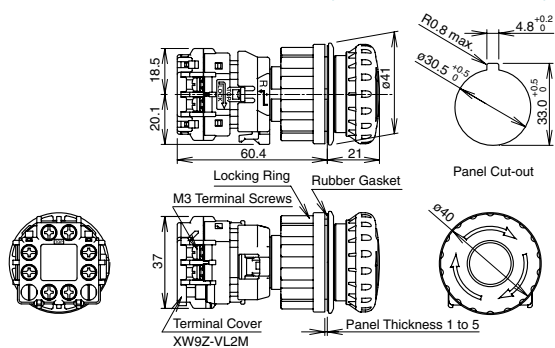
30mm XN1E Non-Illuminated (with terminal cover)



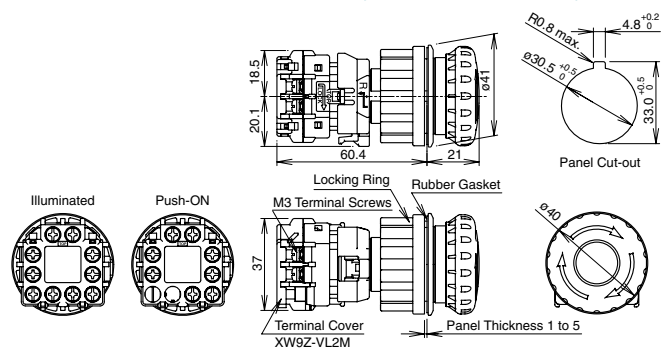
30mm XN1E Illuminated/Push-ON (with terminal cover)



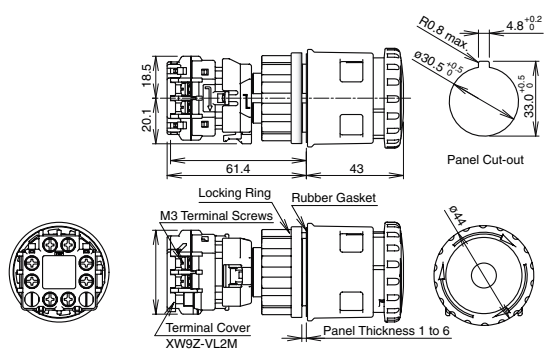
30mm XN5E Non-Illuminated (with terminal cover)



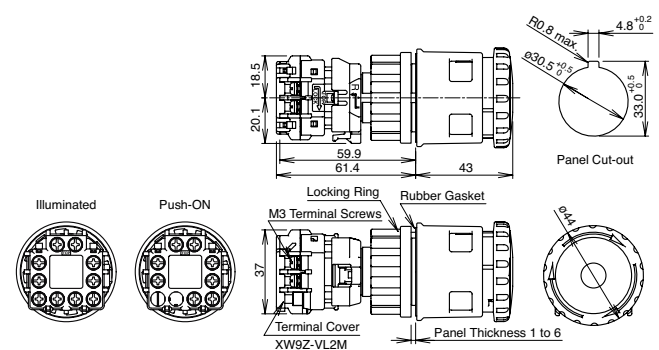
30mm XN5E Illuminated/Push-ON (with terminal cover)



30mm XN4E Non-Illuminated (with terminal cover)



30mm XN4E Illuminated/Push-ON (with terminal cover)



Accessories

Model	Description	Part Number
XA	Replacement LED Unit: Solder Terminal	XA9Z-LED2R
	Replacement LED Unit: PCB Terminal	XA9Z-LED2VR
	Terminal Cover for contact block	XA9Z-VL2
XW and XN	Terminal Cover for contact block	XW9Z-VL2M
	IP20 Fingersafe Cover	XW9Z-VL2MF
XN	Locking Ring Wrench	XN9Z-T1
	Locking Ring Twist Wrench	TWST-T1
	Lockout Hasp	XN9Z-HASP421

For more information on the these and other IDEC E-Stops, visit:

www.IDEC.com/usa/estop

IDEC Corporation • 1175 Elko Drive
Sunnyvale, CA 94089 • 800-262-IDEC (4332)
Fax: 408-745-5258 • www.IDEC.com/usa

©2010 IDEC Corporation. All Rights Reserved.
Catalog No. XS9Y-DS100-1 01/10 10K